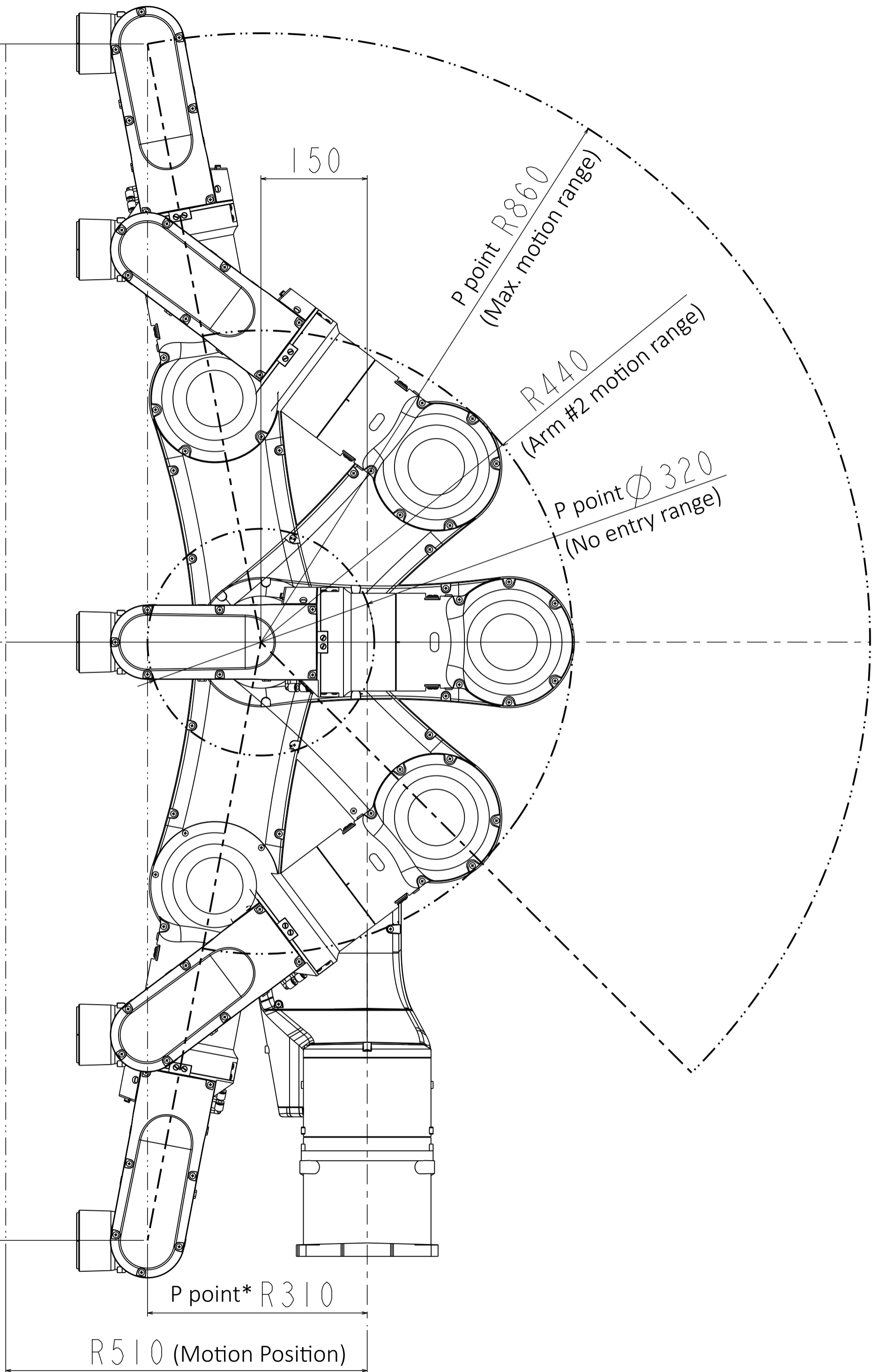


P point* 844

P point* 844



* When the P point is 310mm apart from the center, upward and downward distance in CP motion will be the maximum.